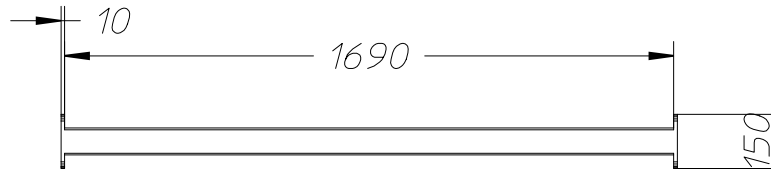
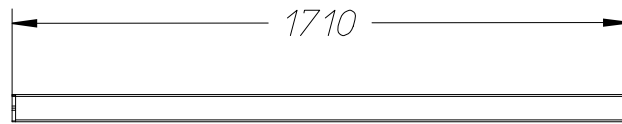


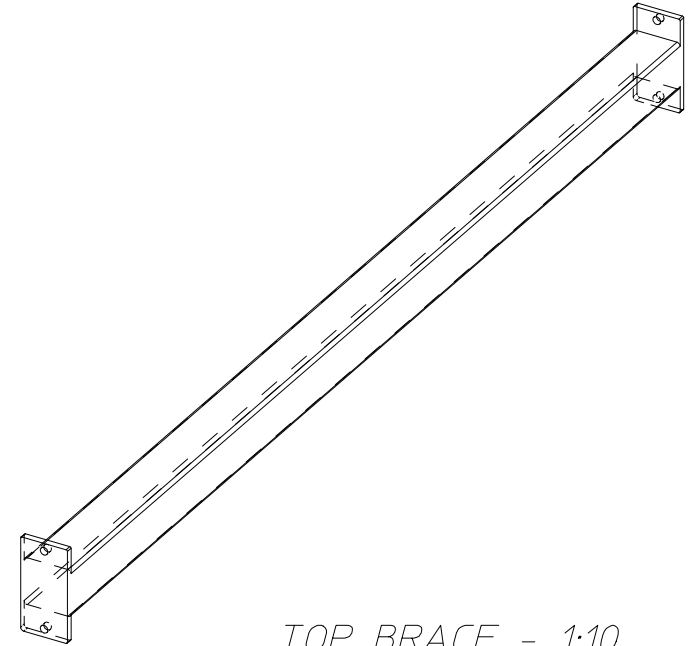
LEFT



FRONT

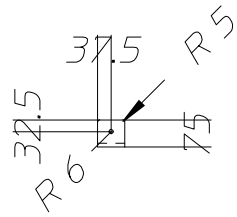


TOP

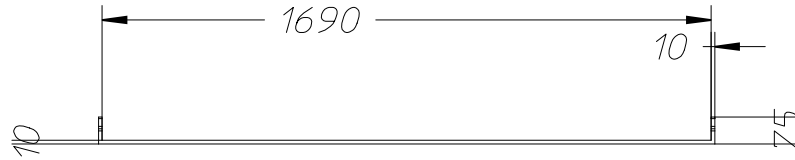


TOP BRACE - 1:10

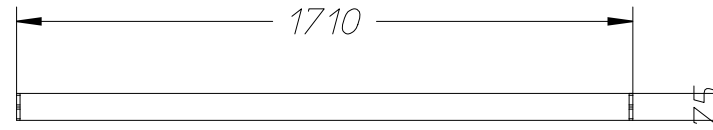
USE RANGE				TOLERANCE		SURFACE		ARCHIVE		SCALE 1:20	
								MATERIAL			
				DATE		NAME		DESCRIPTION			
				DRAWN				<i>TOP BRACING RHS</i>			
				APPR.							
				RLS.							
				Co Create				DRAWING-NUMBER		SHEET	
								Strut		1	
										OF 4	
INDEX	DESCRIPTION	DATE	NAME	ORIGINAL	I.EXCH.F.			I.EXCH.TH.			



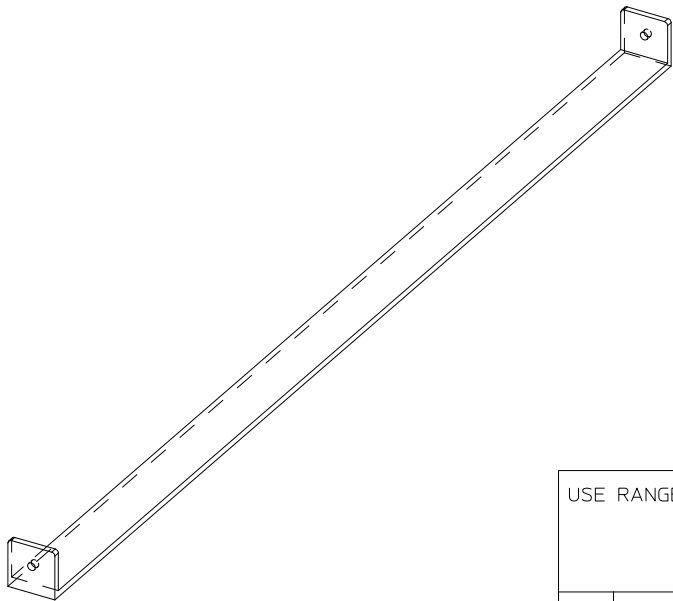
RIGHT



FRONT

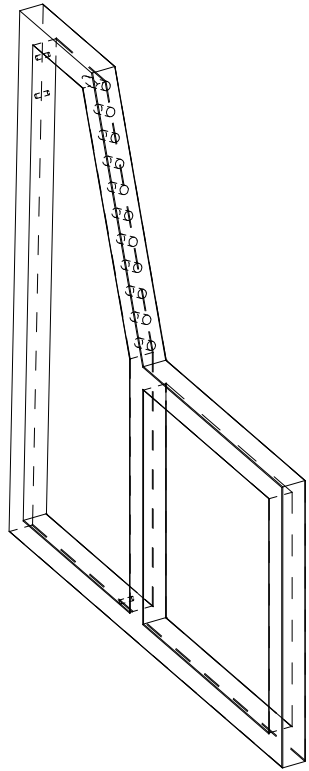


TOP

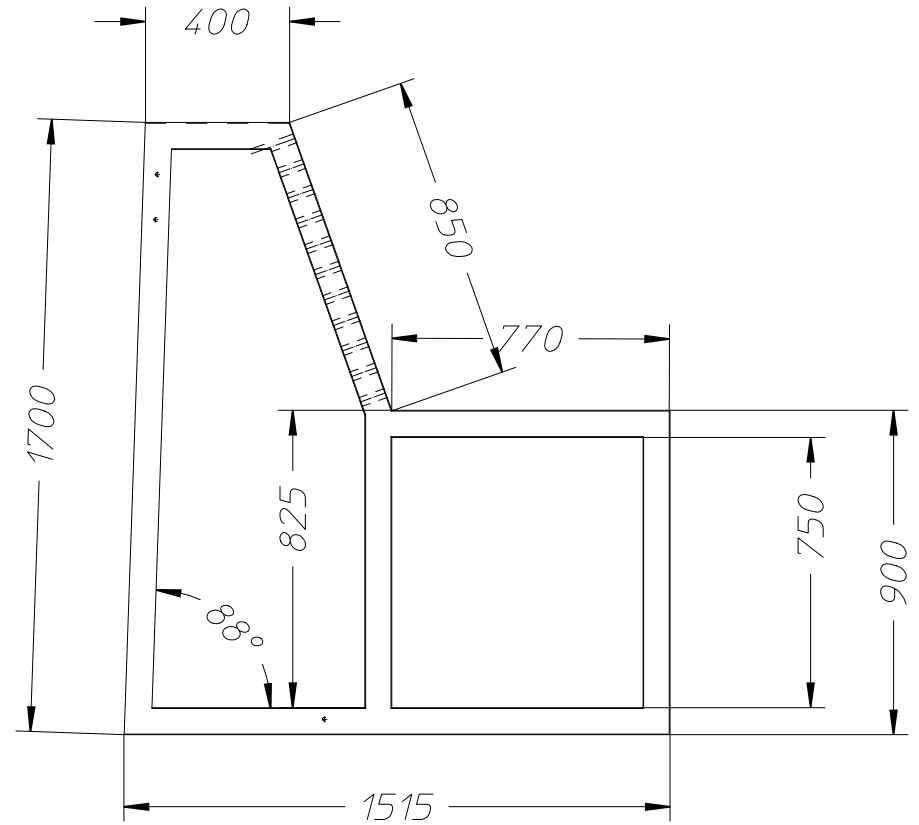


LOWER BRACE

USE RANGE				TOLERANCE		SURFACE		ARCHIVE		SCALE 1:20	
								MATERIAL			
				DATE		NAME		DESCRIPTION			
				DRAWN				LOWER BRACE			
				APPR.							
				RLS.							
				Co Create				DRAWING-NUMBER		SHEET	
								Strut		2	
								OF 4			
INDEX	DESCRIPTION	DATE	NAME	ORIGINAL	I.EXCH.F.			I.EXCH.TH.			



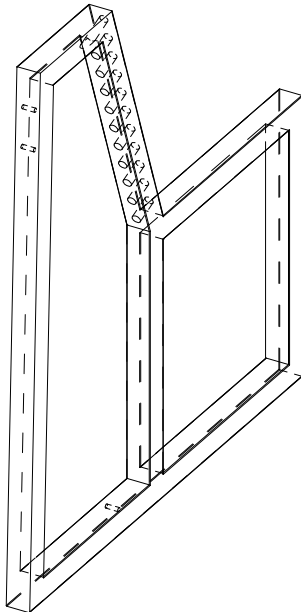
11 x 26 DIA @ 75MM CTRS



FRAME

LEFT

FRONT



USE RANGE				TOLERANCE		SURFACE		ARCHIVE		SCALE 1:20	
								MATERIAL			
				DATE		NAME		DESCRIPTION			
				DRAWN				<i>RHS FRAME - 75x75</i>			
				APPR.							
				RLS.							
				Co Create				DRAWING-NUMBER		SHEET	
								Strut		3	
										OF 4	
INDEX	DESCRIPTION	DATE	NAME	ORIGINAL	I.EXCH.F.				I.EXCH.TH.		

USE RANGE				TOLERANCE		SURFACE	ARCHIVE		SCALE 1:20	
							MATERIAL			
					DATE	NAME	DESCRIPTION			
				DRAWN						
				APPR.						
				RLS.						
				Co Create			DRAWING-NUMBER			SHEET
			Strut				4			
							OF 4			
INDEX	DESCRIPTION	DATE	NAME	ORIGINAL			I.EXCH.F.		I.EXCH.TH.	